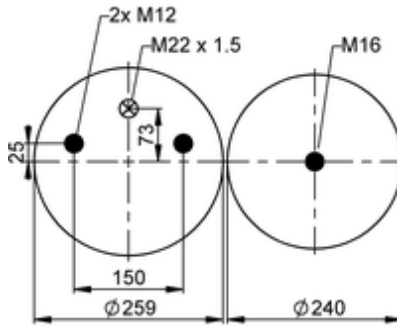
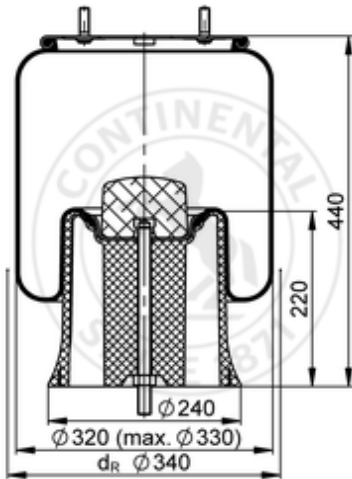


4022 N P06
601450


- bolt or stud
- hole
- combination stud
- air inlet
- stud and nut

	7,8 kg
	K013
	M12: max. 70 Nm
	M16: max. 130 Nm
	M22x1.5: max. 20 Nm

OE Manufacturer/Part No.

Manufacturer	Original Part No.	Model
SAF - Holland	2626V	
Kögel	360112	
SAF - Holland	3.229.0039.00	2626 V