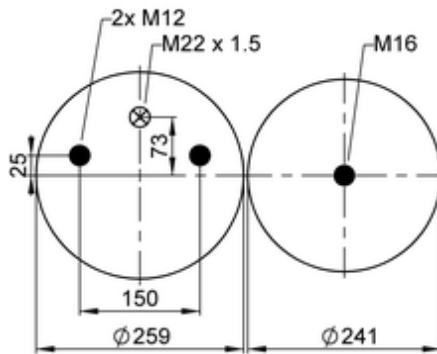
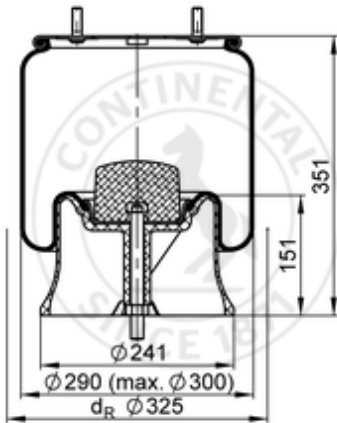


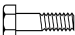






4022 N P05

72206



-  bolt or stud
-  hole
-  combination stud
-  air inlet
-  stud and nut

	7,2 kg
	10002722
	K013
	
	M12: max. 70 Nm
	M16: max. 130 Nm
	M22x1.5: max. 20 Nm

OE Manufacturer/Part No.

Manufacturer	Original Part No.	Model
Scania	1723281	
SAF - Holland	3.229.0033.00	2918 V P01

