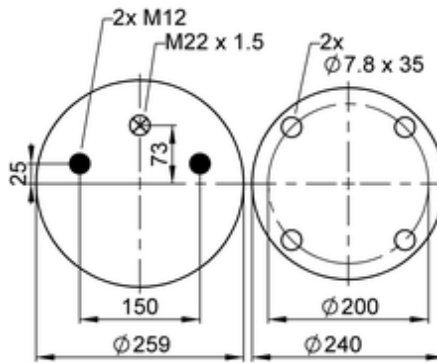
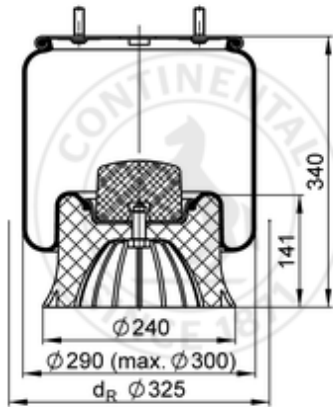


4022 N P03
72205


- bolt or stud
- hole
- combination stud
- air inlet
- stud and nut

		7,1 kg
		10002721
		K014
		M12: max. 70 Nm
		M22x1.5: max. 20 Nm

OE Manufacturer/Part No.

Manufacturer	Original Part No.	Model
SAF - Holland	2618V	
Scania	1723277	
SAF - Holland	3.229.2429.00	2618 V
SAF - Holland	3.229.2229.00	2618 V
SAF - Holland	3.229.2129.00	2618 V

SAF - Holland

3.229.0029.00

2618 V