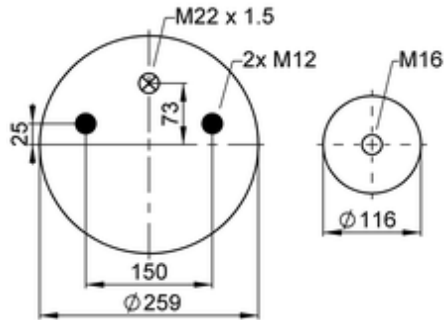
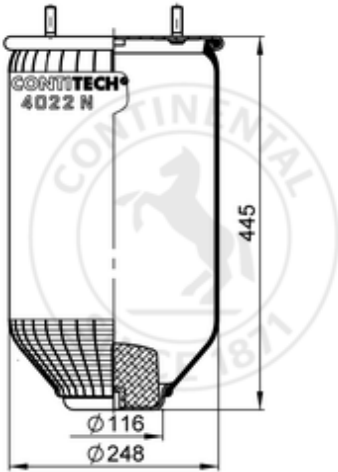


4022 N P02
72213


- bolt or stud
- hole
- combination stud
- air inlet
- stud and nut

	5,1 kg
	10002728
	M12: max. 70 Nm
	M16: max. 130 Nm
	M22x1.5: max. 20 Nm

OE Manufacturer/Part No.

Manufacturer	Original Part No.	Model
SAF - Holland	4.284.3006.00	2618 V P02. 2619 V P02