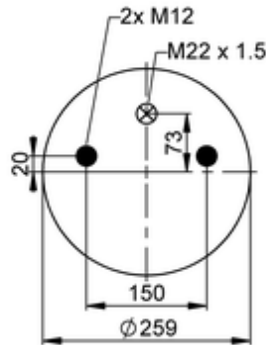
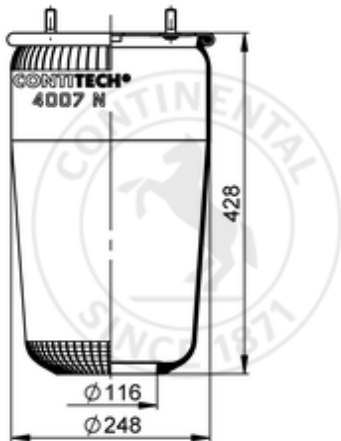


4007 N P03

77237



- bolt or stud
- hole
- combination stud
- air inlet
- stud and nut

kg	3,7 kg
	M12: max. 70 Nm
	M22x1.5: max. 20 Nm

OE Manufacturer/Part No.

Manufacturer	Original Part No.	Model
Gigant	700246090	
Gigant	246090	
Gigant	3042	724 K