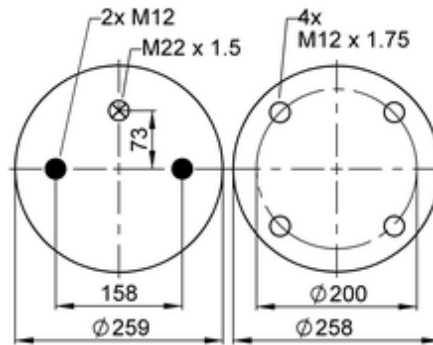
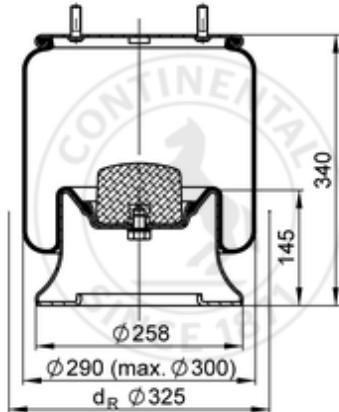






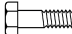





4004 N P05

67747



-  bolt or stud
-  hole
-  combination stud
-  air inlet
-  stud and nut

 kg	9,7 kg
	K001
	
	M12: max. 70 Nm
	M22x1.5: max. 20 Nm

OE Manufacturer/Part No.

Manufacturer	Original Part No.	Model
SAF - Holland	2.229.0007.00	2618 (E5)