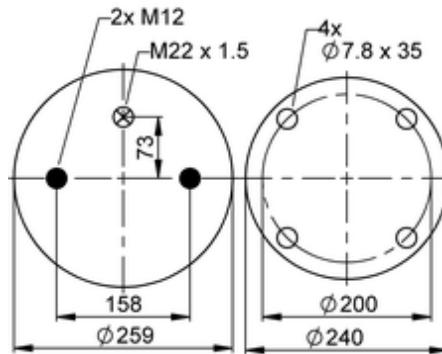
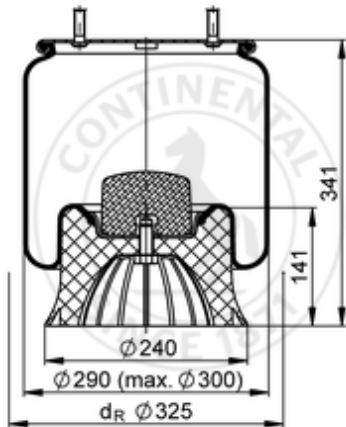






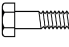





4004 N P03

67213



-  bolt or stud
-  hole
-  combination stud
-  air inlet
-  stud and nut

 kg	7,2 kg
	K014
	
	M12: max. 70 Nm
	M22x1.5: max. 20 Nm

OE Manufacturer/Part No.

Manufacturer	Original Part No.	Model
SAF - Holland	2618	
Scania	1723273	
SAF - Holland	3.229.0007.00	2618 AR 416
SAF - Holland	3.229.0007.02	2618