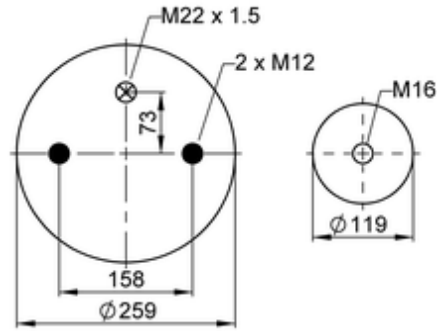
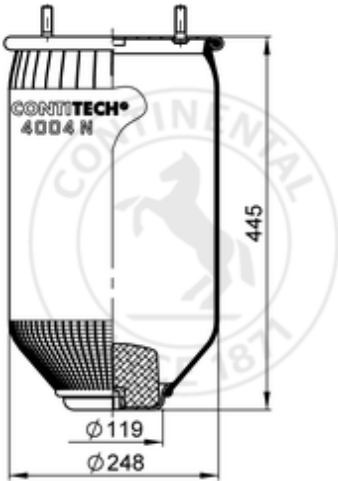


4004 N P02
67212


- bolt or stud
- hole
- combination stud
- air inlet
- stud and nut

| | |
|----|---------------------|
| kg | 5,2 kg |
| | M12: max. 70 Nm |
| | M16: max. 130 Nm |
| | M22x1.5: max. 20 Nm |

OE Manufacturer/Part No.

| Manufacturer | Original Part No. | Model |
|---------------|-------------------|-----------------------|
| SAF - Holland | 4.284.3003.01 | 2618 Service Assembly |