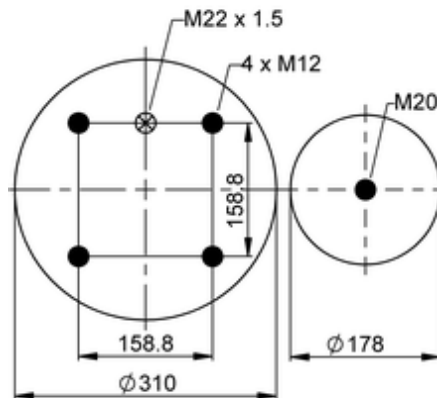
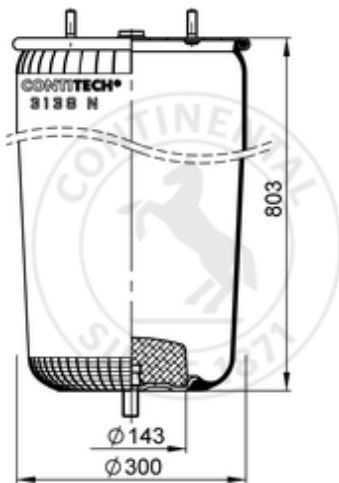











3138 N P01

66063



 bolt or stud
  hole
  combination stud
  air inlet
  stud and nut

 kg	8,9 kg
	M12: max. 70 Nm
	M20x1.5: max. 100 Nm
	M22x1.5: max. 20 Nm

OE Manufacturer/Part No.

Manufacturer	Original Part No.	Model
SAF - Holland	3138 serv.assy.	
SAF - Holland	4.284.3004.00	3138
SAF - Holland	3.228.0019.00	SAF3138
SAF - Holland	3.228.0022.00	SAF3138
SAF - Holland	3.228.0023.00	SAF3138
SAF - Holland	3.228.0048.00	SAF 3138
SAF - Holland	3.228.0049.00	SAF 3138
SAF - Holland	3.228.0050.00	SAF 3138

